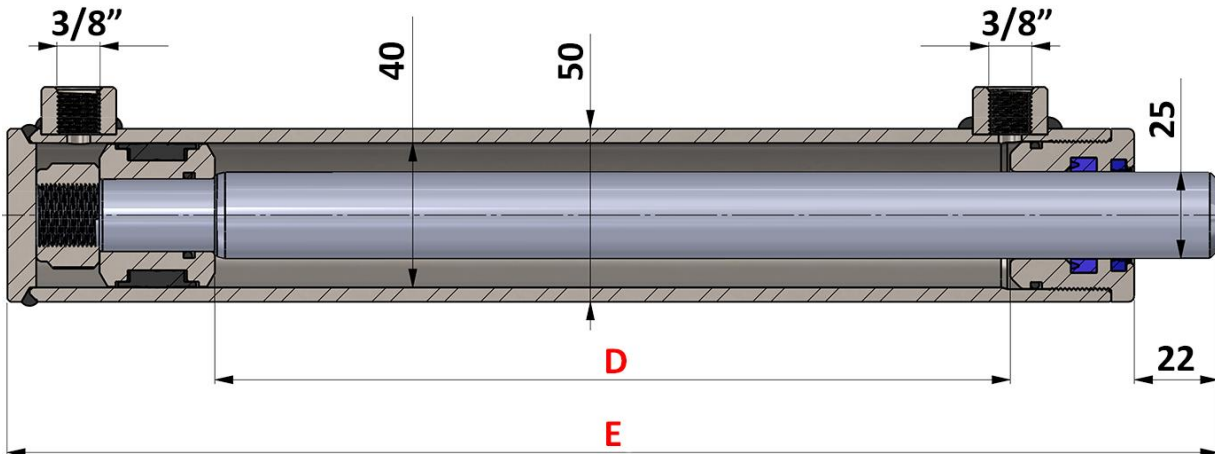


## DATASHEET - DIMENSIONS

### HYDRAULIC CYLINDERS 40/25-xxx



	STANDARD	E	D (stroke)
Code	40/25-xxx	[mm]	
10288	40/25-050	180	50
10289	40/25-100	230	100
10506	40/25-150	280	150
10290	40/25-200	330	200
10172	40/25-250	380	250
10291	40/25-300	430	300
10472	40/25-350	480	350
10292	40/25-400	530	400
10473	40/25-450	580	450
10293	40/25-500	630	500
10975	40/25-550	680	550
10507	40/25-600	730	600
10508	40/25-700	830	700
10509	40/25-800	930	800
10510	40/25-900	1030	900
10511	40/25-1000	1130	1000
12240	40/25-1100	1230	1100
12241	40/25-1200	1330	1200
12242	40/25-1300	1430	1300
12243	40/25-1400	1530	1400
12244	40/25-1500	1630	1500
14832	40/25-1750	1880	1750
14833	40/25-2000	2130	2000